

XBO

Xenon short-arc lamps with reflector 75...300 W

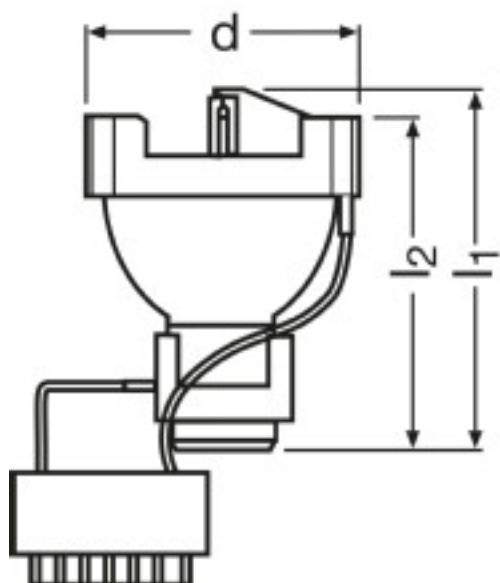


Product benefits

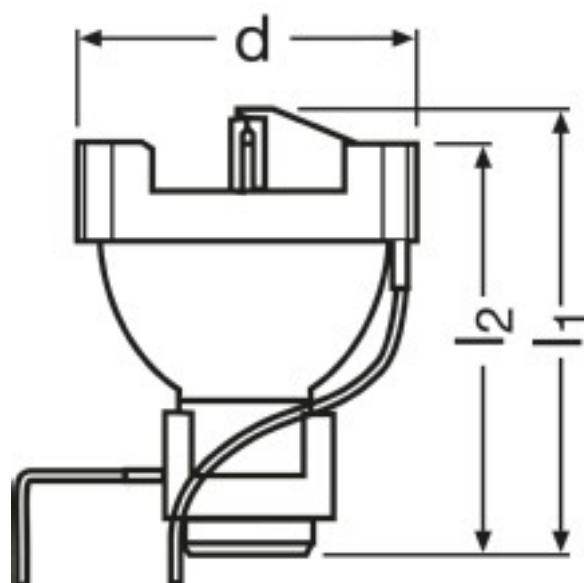
- Very high luminance (point light source)
- Continual color quality, irrespective of lamp type and lamp wattage
- Constant light color throughout the life of the lamp
- Long lamp life

Product features

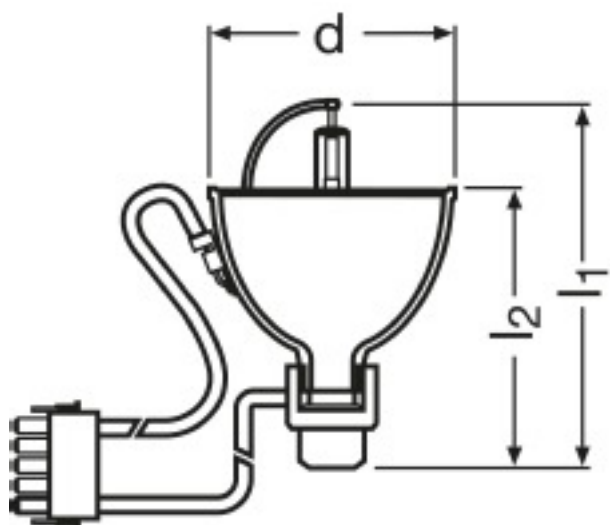
- Color temperature: approx. 6,000 K (Daylight)
- High color rendering index: $R_a >$
- High arc stability
- Hot restart capability
- Dimmable
- Instant light on starting
- Continuous spectrum in the visible range



Product line drawing with letters
XBO R 100 W/45 C | XBO R 100 W/45 OFR | XBO R 180
W/45 | XBO R 180 W/45 C OFR



Product line drawing with letters
XBO R 101 W/45 C OFR | XBO R 181 W/45 C



Product line drawing with letters
XBO R 300 W/60 C OFR

Technical data

Product description	Lamp wattage	Lamp voltage	Luminous flux	Lifespan	Diameter	Mounting length
XBO R 100 W/45 C	85...115 W	12...14 V ²⁾	530 lm ³⁾	500 h	64.0 mm	77.0 mm
XBO R 100 W/45 OFR	85...115 W	12...14 V ²⁾	530 lm ³⁾	500 h	64.0 mm	77.0 mm
XBO R 101 W/45 C OFR ¹⁾	85...115 W	12...14 V ²⁾	530 lm ³⁾	500 h	64.0 mm	77.0 mm
XBO R 180 W/45 ¹⁾	150...210 W	12.8...14.8 V ²⁾	800 lm ³⁾	500 h	64.0 mm	81.5 mm
XBO R 180 W/45 C OFR	150...210 W	12.8...14.8 V ²⁾	800 lm ³⁾	500 h	64.0 mm	81.5 mm
XBO R 181 W/45 C ¹⁾	150...210 W	12.8...14.8 V ²⁾	800 lm ³⁾	500 h	64.0 mm	81.5 mm
XBO R 300 W/60 C OFR	250...300 W	16...20 V ²⁾	1500 lm ³⁾	1000 h	82.0 mm	80.0 mm

Product description	Lamp current
XBO R 100 W/45 C	
XBO R 100 W/45 OFR	
XBO R 101 W/45 C OFR ¹⁾	
XBO R 180 W/45 ¹⁾	
XBO R 180 W/45 C OFR	
XBO R 181 W/45 C ¹⁾	
XBO R 300 W/60 C OFR	18 A

¹⁾ OFR = Ozone-free version

²⁾ Initial voltage range

³⁾ Aperture 3 mm (round); typical initial photometric value

Safety advice

Because of their high luminance, UV radiation and high internal pressure in both the hot and cold state, XBO lamps must only be operated in appropriate enclosed casings. Always use the protective jackets supplied when handling these lamps. They may only be used as open lamps if appropriate safety measures are taken. More information is available on request or can be found in the leaflet included with the lamp or the operating instructions.

The xenon lamp element is always under very high pressure. It may explode if subject to impact or damage. Therefore, spent XBO reflector lamps should be stored in an inaccessible place in the supplied casing or under the protection cap until they are sent for disposal.

Application advice

For more detailed application information and graphics please see product datasheet.

References / Links

Further technical information on XBO lamps and information for manufacturers of operating equipment can be requested directly from OSRAM.

Disclaimer

Subject to change without notice. Errors and omission excepted. Always make sure to use the most recent release.