

## **XBO R 180 W/45 C OFR**

---

XBO | Xenon short-arc lamps with reflector 75...300 W

### **Product benefits**

---

- Very high luminance (point light source)
- Continual color quality, irrespective of lamp type and lamp wattage
- Constant light color throughout the life of the lamp
- Long lamp life

### **Product features**

---

- Color temperature: approx. 6,000 K (Daylight)
- High color rendering index:  $R_a >$
- High arc stability
- Hot restart capability
- Dimmable
- Instant light on starting
- Continuous spectrum in the visible range

## Technical data

---

### Electrical data

<b>Nominal wattage</b>	180 W
<b>Construction wattage</b>	0.18 kW
<b>Lamp wattage</b>	150...210 W
<b>Lamp voltage</b>	12.8...14.8 V <sup>1)</sup>

<sup>1)</sup> Initial voltage range

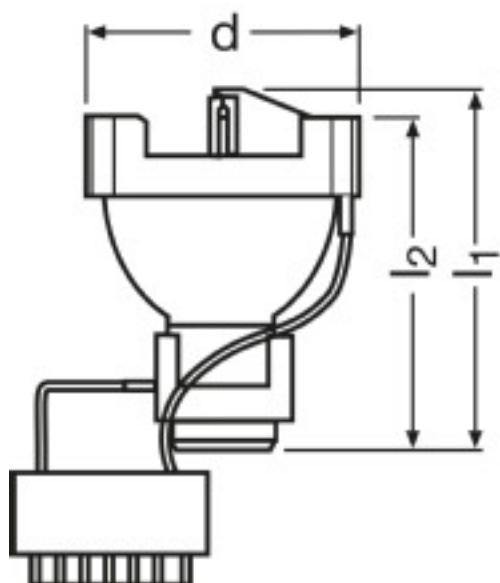
### Light technical data

<b>Luminous flux</b>	800 lm <sup>1)</sup>
----------------------	----------------------

<sup>1)</sup> Aperture 3 mm (round); typical initial photometric value

### Dimensions & weight

<b>Diameter</b>	64.0 mm
<b>Mounting length</b>	81.5 mm



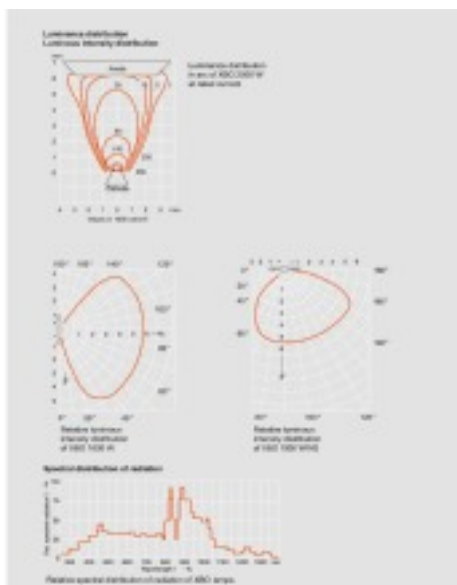
Product line drawing with letters

**Lifespan**

Lifespan	500 h
----------	-------

**Additional product data**

Base (standard designation)	FaXP2.5
Base anode (standard designation)	Cable
Base cathode (standard designation)	Cable

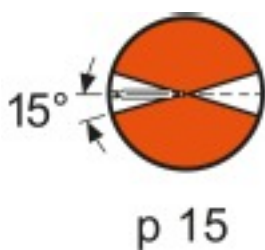


*Luminous intensity distribution*

## Safety advice

Because of their high luminance, UV radiation and high internal pressure in both the hot and cold state, XBO lamps must only be operated in appropriate enclosed casings. Always use the protective jackets supplied when handling these lamps. They may only be used as open lamps if appropriate safety measures are taken. More information is available on request or can be found in the leaflet included with the lamp or the operating instructions.

The xenon lamp element is always under very high pressure. It may explode if subject to impact or damage. Therefore, spent XBO reflector lamps should be stored in an inaccessible place in the supplied casing or under the protection cap until they are sent for disposal.



*Burning position*



*Burning position*

**Logistical Data**

---

<b>Product code</b>	<b>Packaging unit (Pieces/Unit)</b>	<b>Dimensions (height x width x length)</b>	<b>Gross weight</b>	<b>Volume</b>
4050300432199	Folding carton box 1	87 mm x 87 mm x 110 mm	160.00 g	0.83 dm <sup>3</sup>
4050300432205	Shipping carton box 2	98 mm x 126 mm x 186 mm	373.00 g	2.30 dm <sup>3</sup>

---

## References / Links

---

Further technical information on XBO lamps and information for manufacturers of operating equipment can be requested directly from OSRAM.

## Disclaimer

---

Subject to change without notice. Errors and omission excepted. Always make sure to use the most recent release.